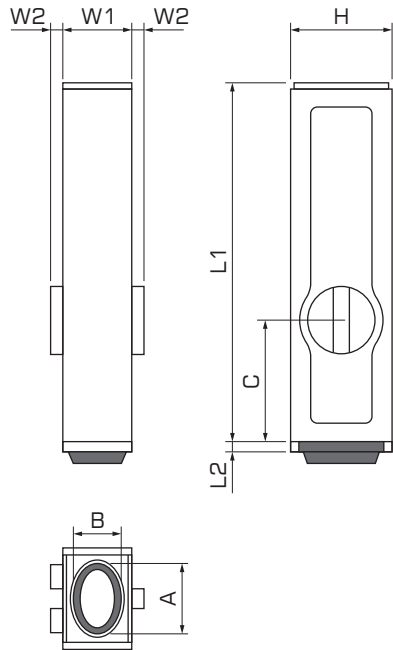


ENDLESS STAMP

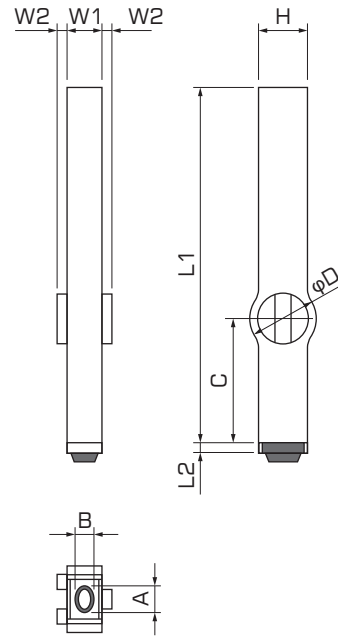
READY-MADE

DIMENSIONAL DRAWINGS

Size No.00 and Size No.0



Size No.1 to Size No.6



DIMENSIONAL SPECIFICATIONS

Unit: mm

Size No.	Rubber Stamp		Body						
	Height	Width	Depth	Width		Length		Connecting Joint	
	A	B	H	W1	W2	L1	L2	C	φD
No.00	16.5	11.1	20.4	14.8	2.0	57.5	1.6	19.5	—
No.0	11.3	8.2	16.2	11.6	2.0	57.5	1.6	19.5	—
No.00 Half-width	—	—	20.4	7.4	2.0	57.5	1.6	19.5	—
No.0 Half-width	—	—	16.2	5.8	2.0	57.5	1.6	19.5	—
No.1	8.0	5.7	11.6	7.8	1.5	56.75	1.6	20.0	13.0
No.2	6.0	4.5	10.2	6.8	1.5	56.75	1.6	20.0	13.0
No.3	5.0	3.3	8.0	5.7	1.5	56.75	1.2	20.0	11.0
No.4	4.1	3.0	6.8	4.8	1.5	56.75	1.2	20.0	11.0
No.5	3.0	2.2	6.0	4.2	1.5	56.75	1.2	20.0	11.0
No.6	2.5	1.8	5.0	3.0	1.0	56.75	1.0	20.0	9.5

Remarks: Even the same size no., dimensions of each letter on rubber stamp are also different.

Height (A) and width (B) shown in the table are the largest ones from each size no.

Ink volume and stamping force could effect to the size of imprint.